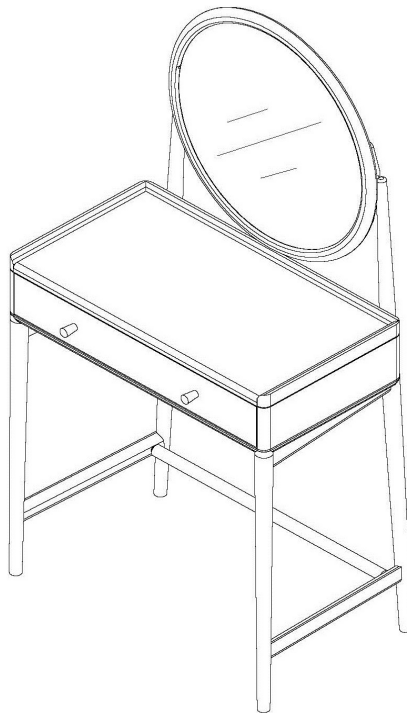


Salina 3899 Dressing Table

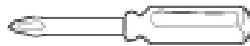
Thank you for purchasing this salina dressing table. Please read the instructions carefully before use to ensure safe and satisfactory operation of this product. Installation shall be carried out exactly according to the manufacturers instructions, otherwise a safety risk can occur if incorrectly installed.



This item is **HEAVY**



Necessary Tools



Pre-assembly preparation

Please ensure instructions are read in full before attempting to assemble this product

Please check the pack contents before attempting to assemble this product. A full checklist of components is given in this leaflet. If any components are missing, please contact the retailer from whom you bought this product.


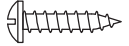
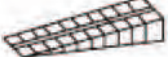

This product is **HEAVY**, it should be assembled as near as possible to the point of use. **TAKE CARE WHEN LIFTING** to avoid personal injury and (or) damage to the product.

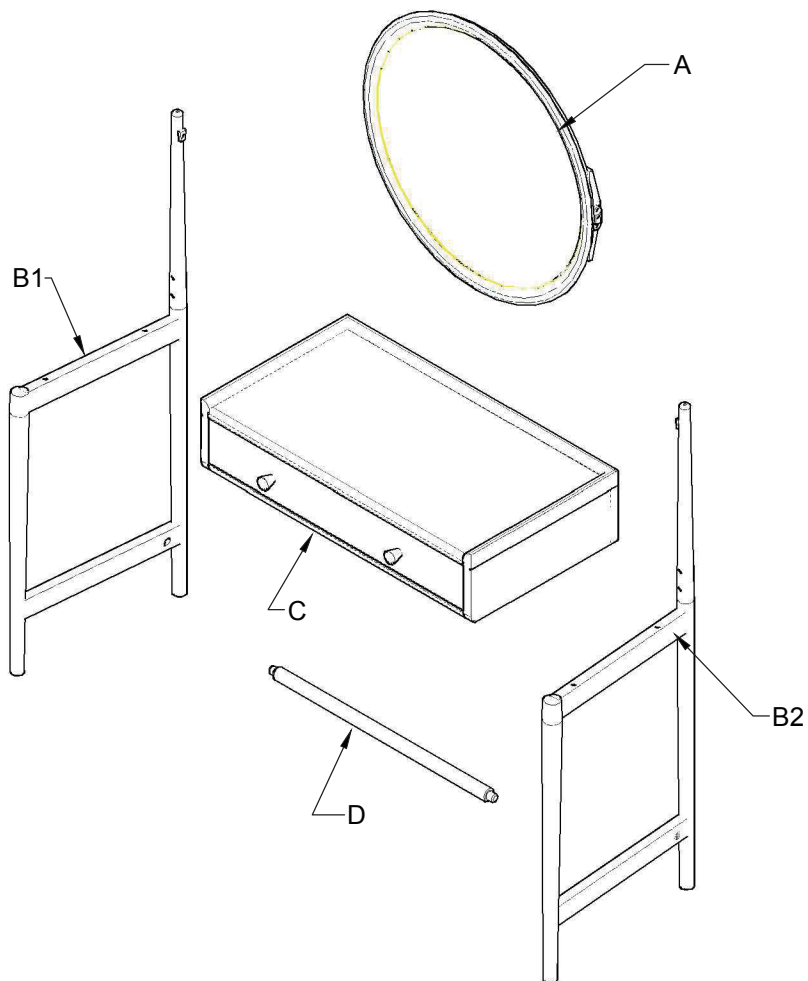
This product takes approximately **30 MINUTES** to assemble with **2 PEOPLE**.

The fittings pack contains **SMALL ITEMS** which should be **KEPT AWAY FROM YOUNG CHILDREN**.

Ref: 1819/3899

Fittings and parts checklist

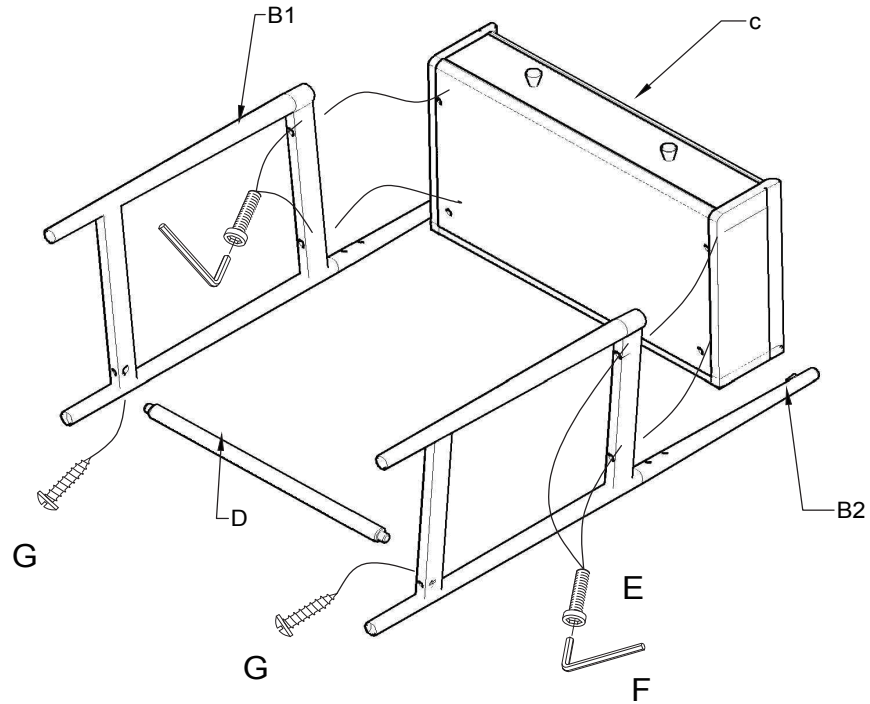
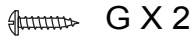
A	Mirror x 1	F	Allen key x 1	
B1	Left leg x 1	G	Screw x 2	
B2	Right leg x 1	H	Wedge x 2	
C	Drawer x 1			
D	Support rail x 1			
E	M6*40 Bolt x 8			



Step by step assembly instructions

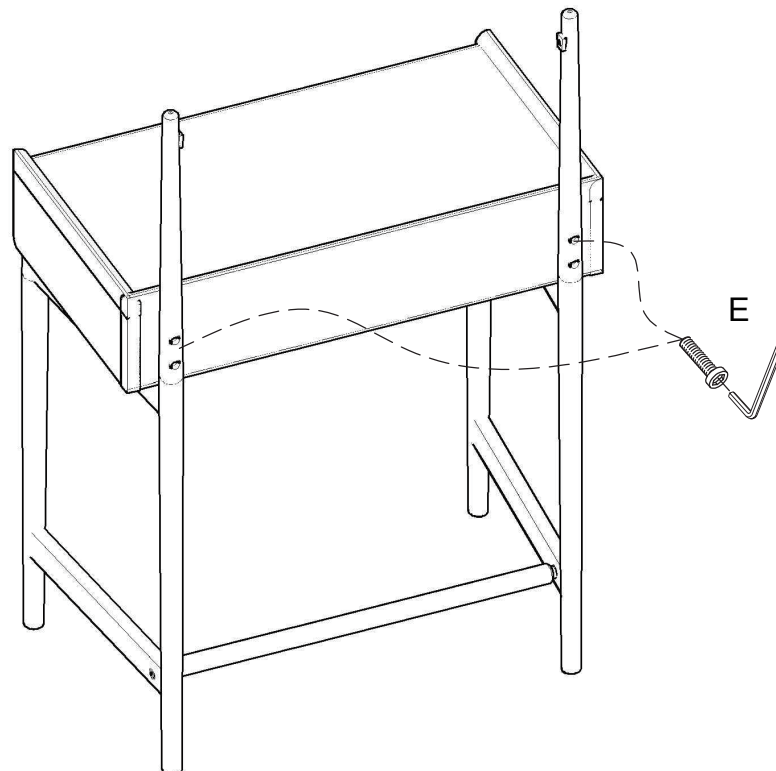
1. Fix the supporting rail D onto the left and right legs B1 & B2 using the G*2 screws. Then fixing the drawer C onto the left and right legs B1 & B2 using E*4 bolts and tighten with the F allen key.

Fittings



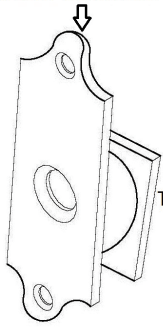
2. Stand the table and fix the drawer C onto the legs back rail by using the E*4 bolts and tighten with the F allen key.

Fittings

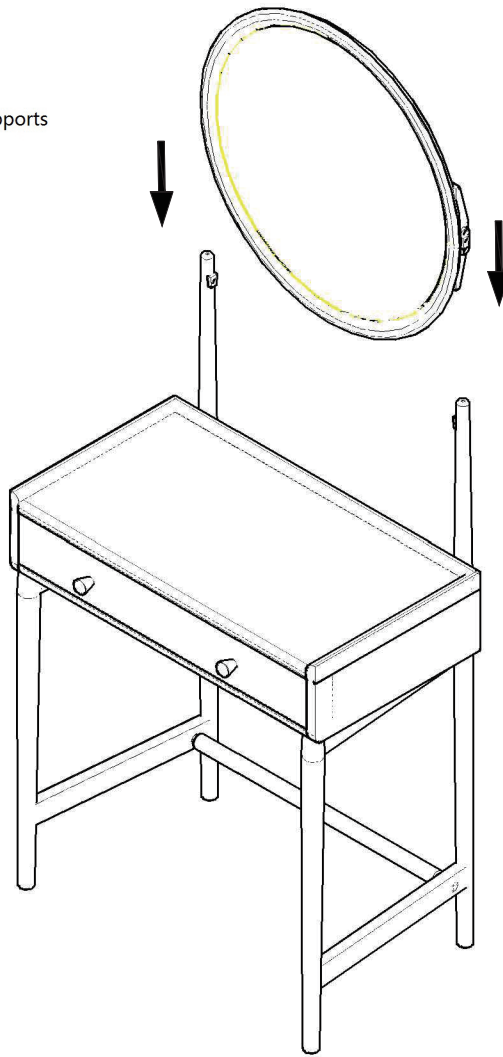
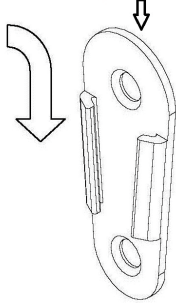


3. Attach the A mirror onto the legs as shown below.

The plate on the mirror round wooden frame



The plate on the mirror supports



Flip the mirror to adjust the Angle of view.

Wall fixing instructions

ercol
ENGLAND SINCE 1920



Thank you for purchasing this ercol product.

Please read the instructions carefully before use to ensure safe and satisfactory operation of this product.

Installation shall be carried out exactly according to the manufacturer's instructions, otherwise a safety risk can occur if incorrectly installed.

WARNING: In order to prevent overturning this product must be used with the wall attachment device provided.

Fittings and parts checklist

A	16mm Screws x 2		B	Brackets x 2 Strap x 1	
---	-----------------	---	---	---------------------------	---

Wall fixing - if in doubt seek professional advice



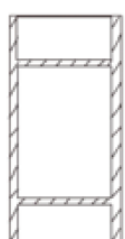
Wood

If fixing to wood make sure that it isn't chipboard as screws can easily pull away from the core structure



Brick or Masonry

Use an appropriate wall plug provided you are sure your wall is sound



Cavity wall

Special toggle wall plugs are needed. Seek expert advice

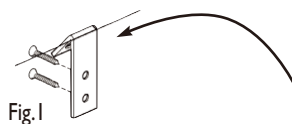


Fig.1



Fig.2

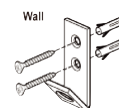
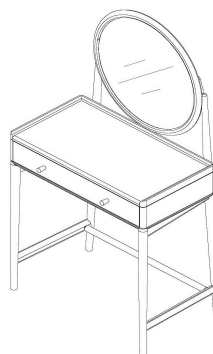
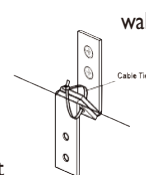


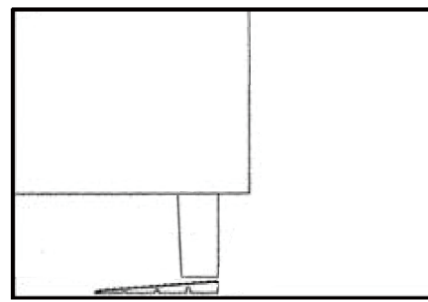
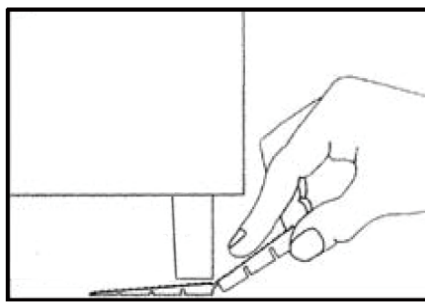
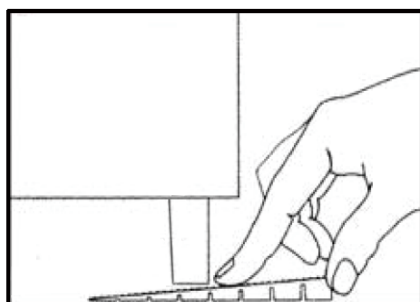
Fig.3



chest

1. See Fig. 1. Screw one of the brackets on to the back of the chest in the middle, using the short screws provided. Make sure the top of the bracket is below the top of the chest. Position the chest against the wall where you want it to go, place the second bracket onto the wall below the one fixed to chest and mark where the holes come on the wall. Move the chest away from the wall.
2. **Attach the wall bracket using screws suitable for your type of wall, see Wall fixings above.**
3. Place the chest back against the wall so the two brackets match up and tie them together with the plastic strap provided. The plates need not match exactly, but the plastic tie must go through each plate. Close the strap, but do not over tighten it. See Fig. 3.

If the chest is not level on your floor use the wedges provided, and snap them off so that they do not protrude out from the cabinet's legs, you can also snap them lengthways if desired.



PLEASE KEEP THESE INSTRUCTIONS FOR FUTURE REFERENCE

Ercol Furniture Ltd, Summerleys Road, Princes Risborough, Buckinghamshire. HP27 9PX www.ercol.com